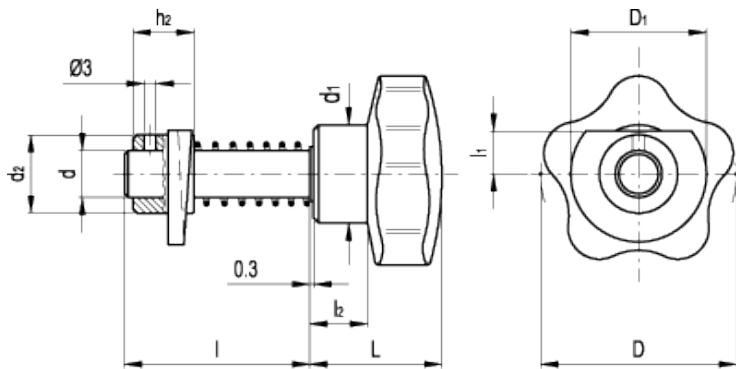


VCK-SST

Latch-type knobs



ELESA Original design



technical informations

Knob

Type VC.192, phenolic based (PF) Duroplast. Resistant to solvents, oils, greases and other chemical agents.

Colour

Black, glossy finish.

Plain stud

AISI 303 stainless steel.

Helical latch

Sintered AISI 316 L stainless steel with hole for pinning.

DIN 1481 spring dowel pin

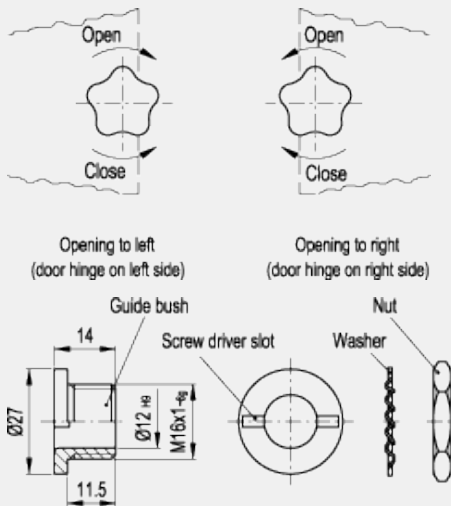
AISI 303 stainless steel, \varnothing 3x20 mm (included in the supply).

Latch spring to compensate door thickness

AISI 302 stainless steel.

Standard executions available

- D: opening to the right side
- S: opening to the left side
- VCK.INOX: assembly on doors with thickness $S > 5$ mm
- VCK+G-INOX: assembly on doors with thickness $S \leq 5$ mm with the interposition of guide bush and nut, available also as accessory sold separately:
code 15211 description GRUPPO GHIERA INOX VCK.
- guide bush: AISI 303 stainless steel
- nut: threaded M16x1, AISI 303 stainless steel
- DIN 6798 flat spring washer: AISI 303 stainless steel.



Choice of the length of the stud (l)

$l \geq S+b+15$ mm

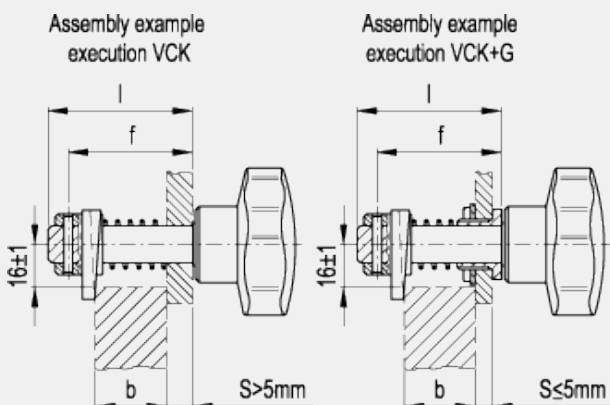
- S = thickness of the door
 - b = thickness of the ledge
- See assembly examples.

Assembly instructions

1. Drill a cylindrical assembly hole in the door following the instructions reported in the table.
 2. Drill a hole in the stud for pinning at a distance "f" from the knob following the instructions reported in the table.
 3. Fit the stud in the hole in the door and assemble the other components.
- VCK.INOX latch-type knobs are supplied not assembled.

Features and applications

Stainless steel, thanks to its high resistance to corrosion, allows the application of these latch-type knobs on machines and equipment in those sectors where laws or particular hygienic, climatic and environmental factors make it mandatory to use corrosion resistant materials.



Door thickness	Execution	Mounting hole	f=hole for pinning
S > 5	VCK.	Ø 12 H9	f=S+b+8.5
S ≤ 5	VCK.+G	Ø 16 H9	f=S+b+11

Standard Elements		Main dimensions						Latch dimensions				Weight
Code	Description	D	L	d	d ₁	l ₂	l	D ₁	d ₂	h ₂	l ₁	g
68325	VCK.50-46-D-SST	50	33	12	25	14	46	45	20	15	12	165
68326	VCK.50-46-S-SST	50	33	12	25	14	46	45	20	15	12	165
68335	VCK.50-46+G-D-SST	50	33	12	25	14	46	45	20	15	12	190
68336	VCK.50-46+G-S-SST	50	33	12	25	14	46	45	20	15	12	190
68425	VCK.60-46-D-SST	60	37	12	27	17	46	45	20	15	12	185
68426	VCK.60-46-S-SST	60	37	12	27	17	46	45	20	15	12	185
68435	VCK.60-46+G-D-SST	60	37	12	27	17	46	45	20	15	12	210
68436	VCK.60-46+G-S-SST	60	37	12	27	17	46	45	20	15	12	210
68465	VCK.60-64-D-SST	60	37	12	27	17	64	45	20	15	12	210
68466	VCK.60-64-S-SST	60	37	12	27	17	64	45	20	15	12	210
68475	VCK.60-64+G-D-SST	60	37	12	27	17	64	45	20	15	12	235
68476	VCK.60-64+G-S-SST	60	37	12	27	17	64	45	20	15	12	235



ELESA and GANTER models all rights reserved in accordance with the law. Always mention the source when reproducing our drawings.

STANDARD MACHINE ELEMENTS WORLDWIDE